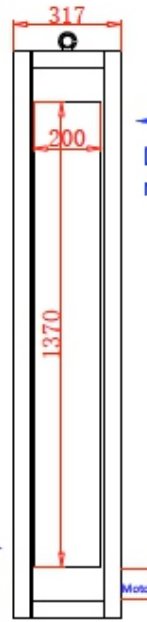
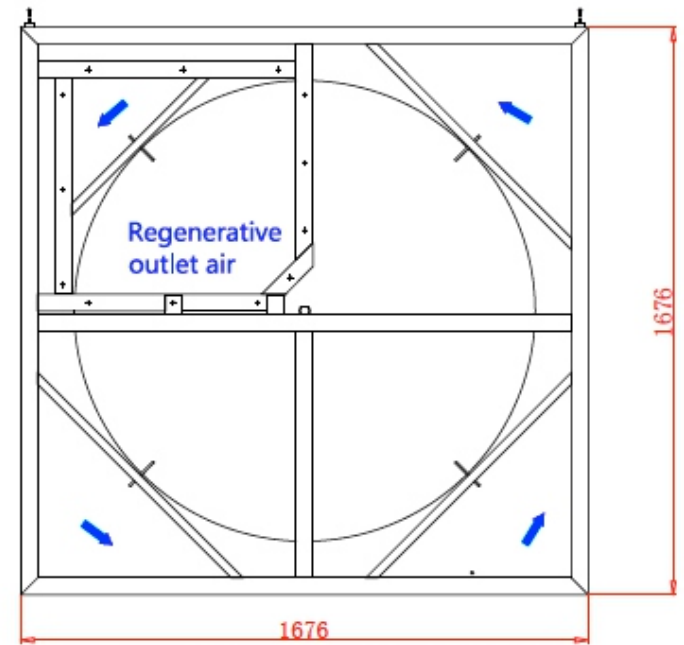


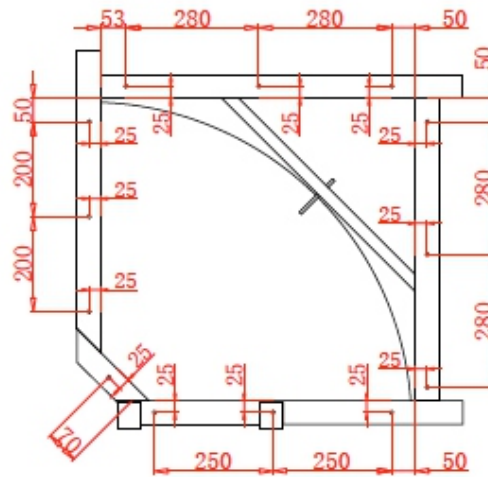
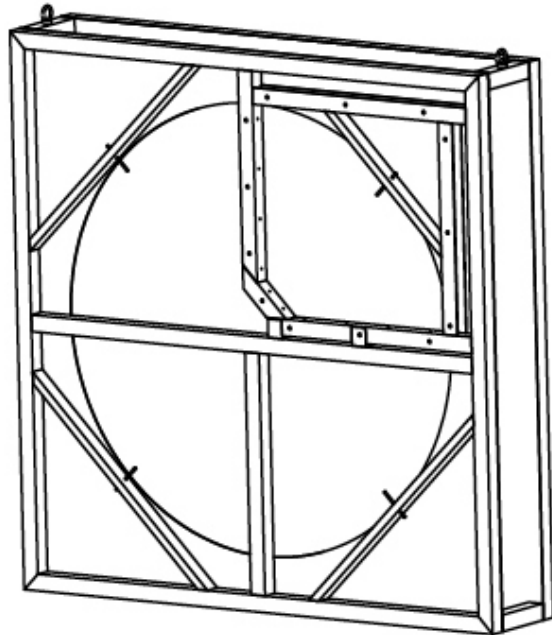
Area of the processing outlet air



Direction of the processing inlet air



Area of the processing inlet air



Enlarged view of regeneration area



Rotor cassette 1:3 1370x200

Design

Approve

Review

The size with sealing plate
1680X1678X317