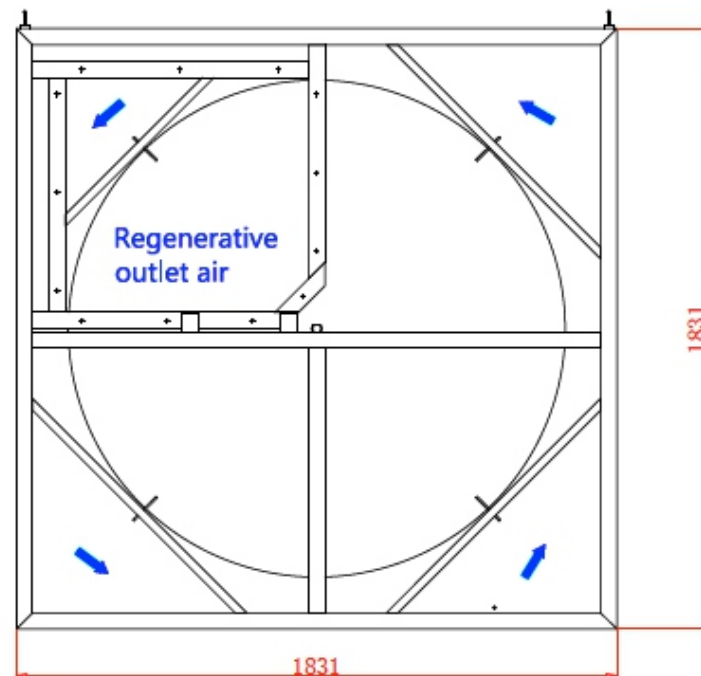
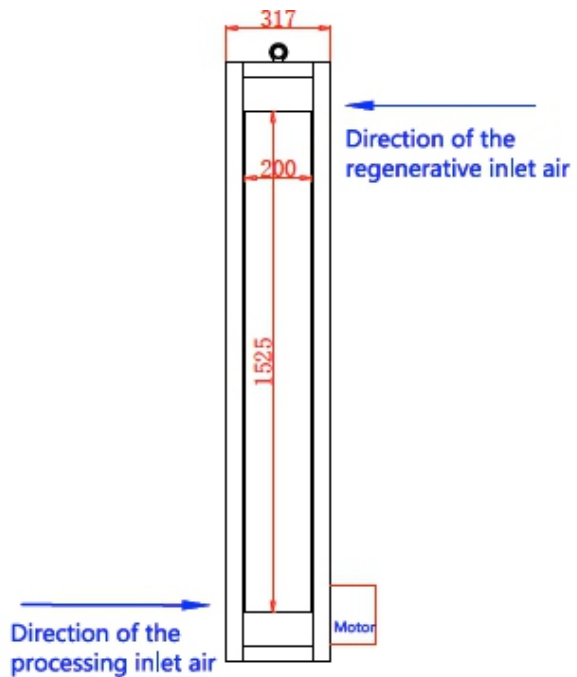
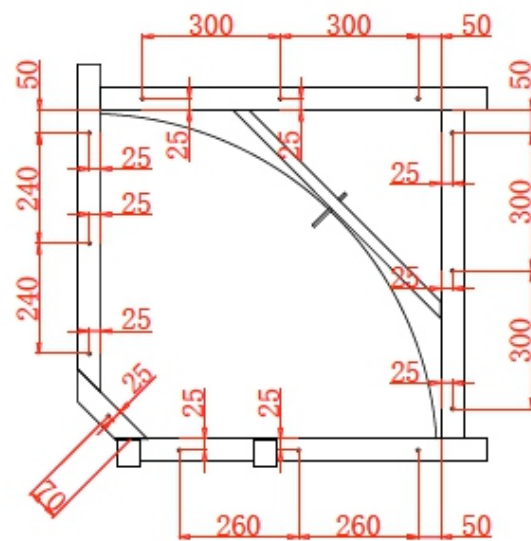
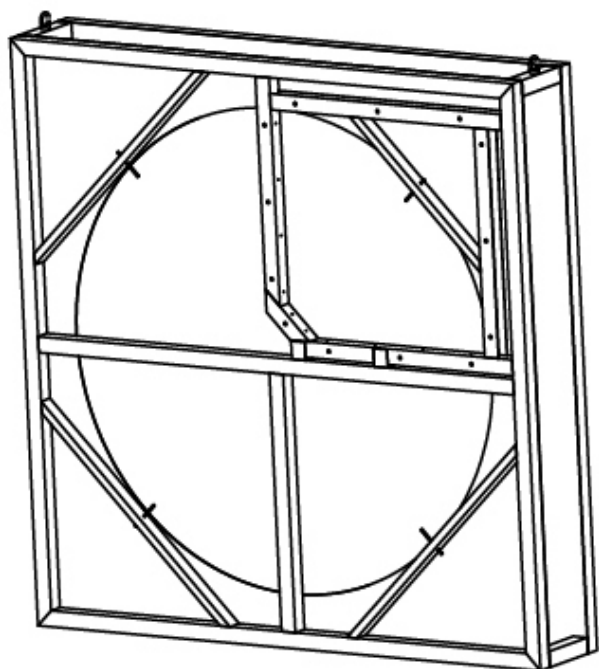



Area of the processing outlet air



Area of the processing inlet air



Enlarged view of regeneration area

		Rotor cassette 1:3 1525x200
Design	Approve	The size with sealing plate
Review		1835X1833X317